

Haier Biomedical

Intelligent Protection of Life Science

Avail in Aotearoa NZ from:
CCAT Scientific 0800 222 812
ccat.co.nz info@ccat.co.nz



DW-25L92SF



Hydrocarbon Energy-saving



Environmentally Friendly



Low Noise

-25°C Spark Free Freezer

Scope of Application

It can be used for safe storage of potentially flammable items and other temperature sensitive samples at low temperatures. Applications found within life science, medical, electronics and chemical industries.

Innovative Design

- Explosion Proof Interior
- Undercounter Biomedical Freezer
- Multiple Interface Options
- Security Lock

Qingdao Haier Biomedical Co.,Ltd.

No.280 Feng Yuan Road, High-tech Zone,
Qingdao, 266109, P.R. China
E-mail: inquiry@haierbiomedical.com
Website: www.haiermedical.com



Haier Biomedical
International



Haier Biomedical
International



@haiermedicalint



Haier Biomedical
International



Haier Biomedical
International

Product Advantages



Explosion Proof Interior

The SF series is composed of a non-anti-static liner, door lining and drawers. Equipped with an overcurrent and overvoltage protection system with all components earthed to ensure static is discharged safely. Certified to ATEX IIC-T6 EU and can be used in zone 2 environments.



Environmentally Friendly

The HC system is a completely green refrigeration solution. With LBA foamed green polyurethane insulation in line with European ROHS directive for environmentally friendly materials.



Hydrocarbon Energy-saving

Adopting high-efficiency HC compressor and optimized refrigeration system, for safe and reliable cold storage of your samples.



Low Noise

Cabinet structure and refrigeration system noise reduction design lowers noise level to less than 27dB(A) and eliminating any harsh high-frequency noises.

Ergonomic Design



Microprocessor

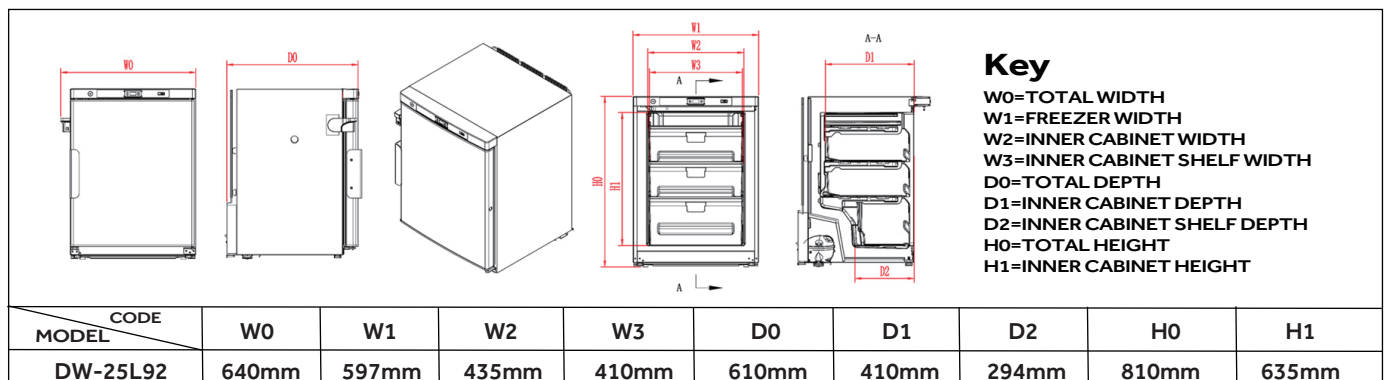
- Microprocessor electronic temperature controller, LCD digital temperature display, display precision is 0.1°C, temperature set point -10--25°C. Temperature uniformity is ±3°C.
- Multiple alarms including high and low temperature, sensor error, power failure, door ajar, high ambient and remote alarm.
- Alarm mode: sound and light alarm.
- It can be connected to remote alarm.



Undercounter Biomedical Freezer

The DW-25L92 cabinet is designed with a height of 810mm, which can be easily placed under the bench to save storage space.

Product Size Drawing





Specifications



Model		DW-25L92SF	
Technical Data	Cabinet Type	Upright	
	Climate Class	SN N	
	Cooling Type	Direct Cooling	
	Defrost Mode	Manual	
	Refrigerant	HC	
	Sound Level (dB(A))	27	
Performance	Cooling Performance (°C)	-25	
	Temperature Range(°C)	-10~-25	
Control	Controller	Microprocessor	
	Display	LED	
Electrical Data	Power Supply (V/HZ)	220-240/50	
	Electrical Current (A)	1.2	
Dimensions	Capacity (L/Cu.Ft)	92/3.2	
	Net/Gross Weight (approx)	(kg)	46/51
		(lbs)	101.4/112.4
	Interior Dimension (W*D*H)	(mm)	435*410*635
		(in)	17.1*16.1*25.0
	Exterior Dimension (W*D*H)	(mm)	597*635*810
		(in)	23.5*25*32.9
	Packing Dimension (W*D*H)	(mm)	680*690*940
(in)		26.8*27.1*37.0	
Alarms	Container Load (20'/40'/40'H)	48/102/102	
	High/Low Temperature	Y	
	Remote Alarm	Y	
	Power Failure	N	
	Sensor Error	Y	
	Low Battery	N	
	High Ambient Temperature	N	
	Dirty Condenser	N	
Door Ajar	Y		
Accessories	Caster	Y	
	Leveling Feet	Y	
	Porthole	N	
	Drawers/Inner Doors	3/N	
	Adjustable Shelves	N	
	USB Interface	N	
	RS485	N	
	NFC	N	
Temperature Recorder	N		
Other	Certificate	ATEX explosion proof certificate, CE	

*Haier Biomedical reserves the right to change products and specifications without prior notice.